

KEPCO MODEL PC-12 MATING CONNECTOR (UNWIRED)

DESCRIPTION: The Kepco Model PC-12 is a 50 terminal connector, equipped with cable shell, cable clamp and locking screws. The PC-12 is designed to provide the correct termination for Kepco equipment with 50-pin dual edge printed circuit rear connectors.

INSTALLATION (Refer to FIG. 1)

- 1) Disassemble the connector insert and the connector shell by removing the two mounting screws (A,B).
- 2) Wire the connector terminals and insert the plastic "key" into the correct position (See FIG. 1)
- 3) Re-assemble the connector insert and the connector shell. (See FIG. 1)

MECHANICAL OUTLINE DRAWING: Refer to FIG. 2 (reverse side).

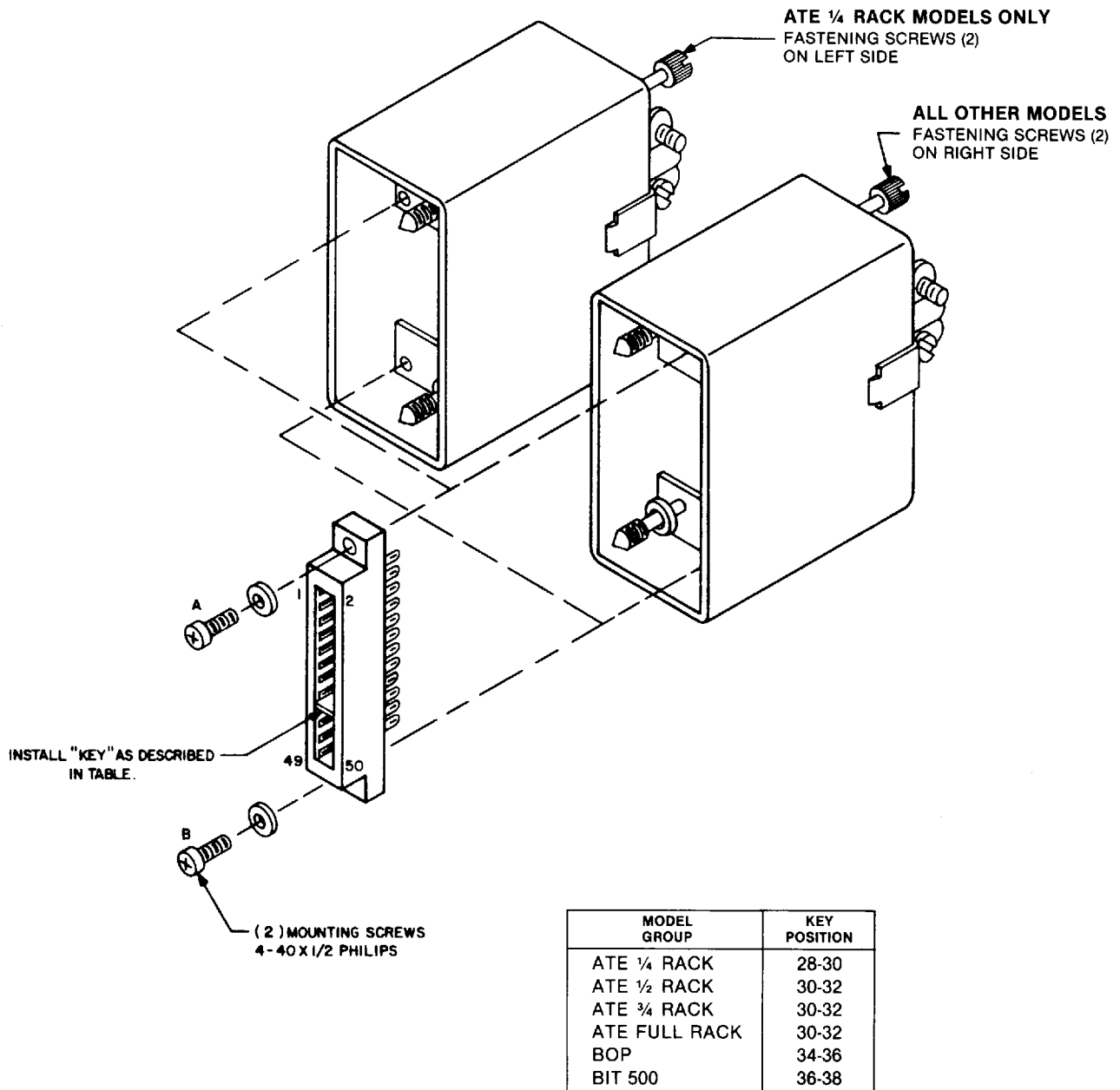


FIG. 1 INSTALLATION OF THE PC-12 MATING CONNECTOR

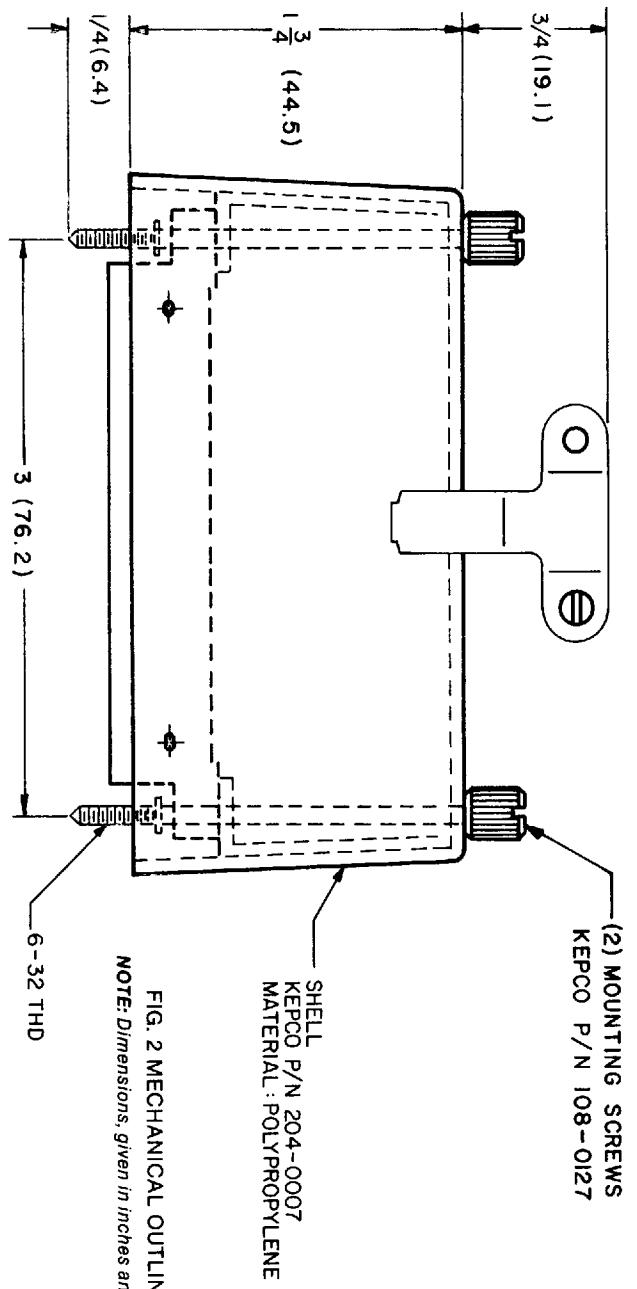


FIG. 2 MECHANICAL OUTLINE DRAWING, MODEL PC-12
 NOTE: Dimensions, given in inches and (millimeters), are for reference only.

